



# FLAT TOP WOOD TOP BAKERS TABLES

## Open Base Style

Item #: \_\_\_\_\_ Qty #: \_\_\_\_\_

Model #: \_\_\_\_\_

Project #: \_\_\_\_\_



### FEATURES & CONSTRUCTION:

Hard Wood Top.

Gussets welded to support channels.

Front to back Stretchers are welded to legs. Left to right Stretcher bolted to legs and requires assembly.

### MATERIAL:

**TOP:** Laminated 1-3/4" Thick  
HARD MAPLE.

**LEGS: TH2S Series:** 1 5/8" diameter tubular stainless steel with 1" adjustable stainless steel bullet feet.

**TH2G Series:** 1 5/8" diameter tubular galvanized steel with 1" adjustable plastic bullet feet.



	L	24" WIDE	Wt. (lbs.)	Cu. Ft.	30" WIDE	Wt. (lbs.)	Cu. Ft.	36" WIDE	Wt. (lbs.)	Cu. Ft.
<b>STAINLESS STEEL BASE</b>	4'	TH2S-244	80	6	TH2S-304	100	7	TH2S-364	115	8
	5'	TH2S-245	95	7	TH2S-305	120	9	TH2S-365	135	11
	6'	TH2S-246	115	9	TH2S-306	140	11	TH2S-366	155	13
	7'	TH2S-247	135	10	TH2S-307	155	12	TH2S-367	180	15
	8'	TH2S-248	155	12	TH2S-308	185	14	TH2S-368	215	17
<b>GALVANIZED BASE</b>	4'	TH2G-244	80	6	TH2G-304	100	7	TH2G-364	115	8
	5'	TH2G-245	95	7	TH2G-305	120	9	TH2G-365	135	11
	6'	TH2G-246	115	9	TH2G-306	140	11	TH2G-366	155	13
	7'	TH2G-247	135	10	TH2G-307	155	12	TH2G-367	180	15
	8'	TH2G-248	155	12	TH2G-308	185	14	TH2G-368	215	17



Customer Service Available To Assist You **1-800-645-3166** 8:30 am - 7:00 pm E.S.T.

For Orders & Customer Service:

Email: [customer@advancetabco.com](mailto:customer@advancetabco.com) or Fax: 631-242-6900

For Smart Fabrication™ Quotes:

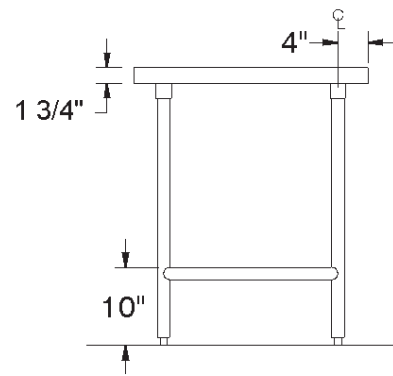
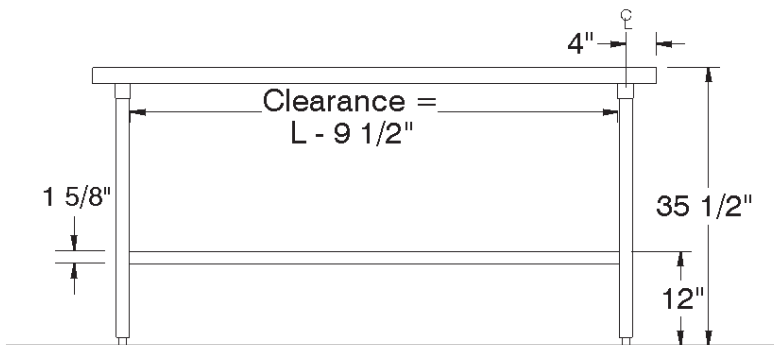
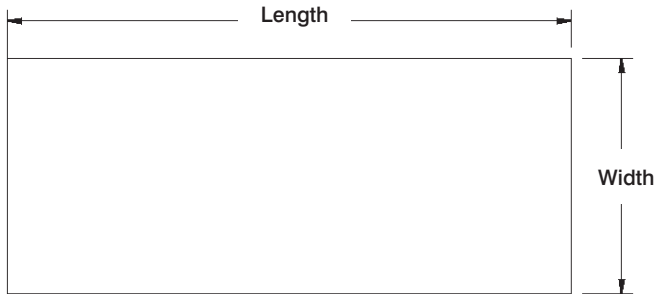
Email: [smartfab@advancetabco.com](mailto:smartfab@advancetabco.com) or Fax: 631-586-2933

# DETAILS and SPECIFICATIONS

TOL  $\pm$  .500"

Units 8 ft. & larger are furnished with six (6) legs.

ALL DIMENSIONS ARE TYPICAL



## TH2S & TH2G Series Open Base Style

Units 8 Ft. And Larger Are Furnished With Six (6) Legs

